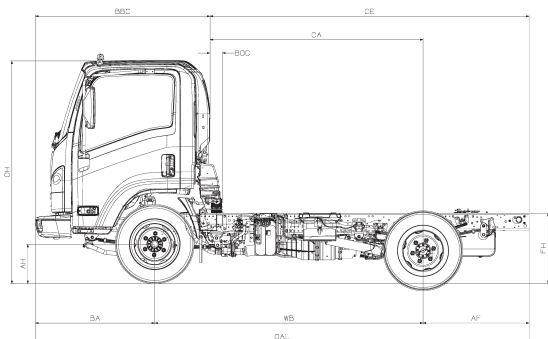
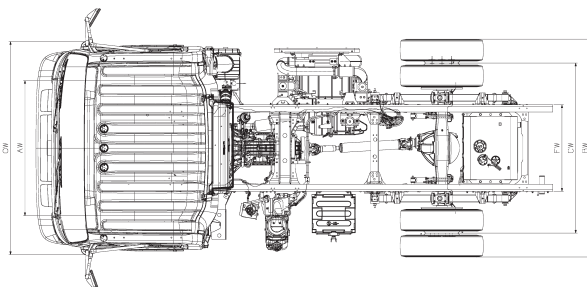


# NPR-HD DIESEL

## STANDARD CAB



Wheelbase (in.)	Cab to Axle (in.)	Cab to End of Frame (in.)	Back of Cab (in.)	Overall Length (in.)	Body Length (ft.)	Overall Width (in.)	Axle Width (in.)	Overall Height (in.)
109.0	86.5	129.6	7.7	200.5	10-12	81.3	65.6	90.8
132.5	110.0	153.1	7.7	224.0	14	81.3	65.6	90.8
150.0	127.5	170.6	10.2	241.5	16-18	81.3	65.6	90.8
176.0	153.5	196.6	10.2	267.5	18-20	81.3	65.6	90.8

**GVWR/GCWR** 14,500/20,500 lbs.

**BODY/PAYLOAD ALLOWANCE** 8,339-8,536 lbs.

**GAWR**  
Front 5,360 lbs.  
Rear 9,880 lbs.

**FRONT AXLE CAPACITY** 6,830 lbs.

**REAR AXLE CAPACITY** 11,020 lbs.  
Ratio 4.555

**SUSPENSION F/R SPRINGS** Tapered/Multi-Leaf  
Capacity 6,830/9,880 lbs.

**FRAME**  
Section Modulus 7.20 in.<sup>3</sup>  
Resistance Bending Moment 316,800 lb.-in.

**SERVICE BRAKES** Vacuum/Hydraulic with  
Front/Rear 4-Channel ABS Disc/Drum

**EXHAUST BRAKE** Standard

**TRANSMISSION** Aisin A465 6-speed auto.  
with double overdrive  
and lock-up 2<sup>nd</sup>-6<sup>th</sup> gears

**ENGINE** Isuzu 4HK1-TC turbocharged  
intercooled diesel

Displacement 5.2L (317 in.<sup>3</sup>)  
Engine Power 215 hp @ 2,500 rpm  
Engine Torque 452 lb.-ft. @ 1,850 rpm

**OIL LEVEL INDICATOR** Dash-mounted oil level  
check switch and light

**LIMITED SLIP DIFFERENTIAL** Optional

**ALTERNATOR** 140-amp

**BATTERIES** 2 Maintenance-Free  
750-CCA

**TIRES LRR** (Low Rolling Resistance) 215/85R16E (10-pr) Standard

**STEERING** Integral Hydraulic Power

**STEERING COLUMN** Tilt and Telescopic

**FUEL TANK**  
Standard 30 gal. in-rail  
Optional 33 gal. side mount  
(176" WB Only)

**FUEL/WATER SEPARATOR** Dual fuel filter with dash  
mounted indicator light

### 2019 ISUZU N-SERIES DIESEL WARRANTY COVERAGE AT A GLANCE

Vehicle Coverage	Warranty Limitations (Time or Mileage, Whichever Comes First)*		Percentage of Dealer's Normal Charge Paid by Owner	
	Time in Years	Vehicle Miles	Parts	Labor
Basic	0-3 Years	Unlimited	No Charge	No Charge
Engine	0-3 Years	Unlimited	No Charge	No Charge
• Transmission • Drive Axle • Driveshaft • Front Axle I-Beam • Crossmembers • Flywheel Housing • Clutch Housing	0-3 Years	Unlimited	No Charge	No Charge
Frame Rails	0-3 Years	Unlimited	No Charge	No Charge
Engine Emissions Control System - Federal	3-5 Years	Unlimited	50%	50%
Tires	0-5 Years	0-100,000	No Charge	No Charge
Corrosion (Rust Through)	0-2 Years	0-24,000	No Charge	No Charge
	0-4 Years	Unlimited	No Charge	No Charge

\*The warranty coverages are determined by the mileage of the vehicle and the number of years from the delivery date. See your authorized Isuzu dealer for warranty details.